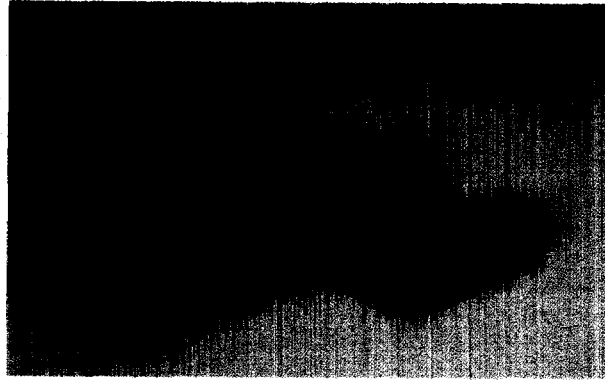


EH SERIES



- * POPULAR SIZES FROM 11/22 TO 150/300 POSITIONS ARE AVAILABLE.
- * SELECTION OF DIFFERENT LEVELS OF GOLD PLATING FOR COST SAVING.
- * METAL HOLD DOWN OR PLASTIC POST FOR POSITIVE BOARD RETENTION.
- * OTHER OPTIONS AVAILABLE TO MEET SPECIFIC USER REQUIREMENT.

DESCRIPTION

HOUSING
GLASS-REINFORCE THERMOPLASTIC, UL 94 V-0,
COLOR BROWN.

CONTACT
RECEPTACLE: COPPER ALLOY.

CONTACT AREA PLATING
SELECTIVE GOLD PLATING OVER 50-100 μ"
NICKLE BASE PLATING.

TAIL AREA PLATING
100-200 μ" TIN/LEAD PLATING.

SPECIFICATION

ELECTRICAL CHARACTERISTICS:

- * LOW LEVEL CONTACT RESISTANCE: 30mΩ MAX INITIAL.
- * DIELECTRIC WITHSTANDING VOLTAGE: AC 500 V RMS MIN.
- * INSULATION VOLTAGE: 1,000 MΩ MIN.
- * CONTACT CURRENT RATING: 1 AMP.
- * CAPACITANCE: 2 PICO FARADS MAX. AT 1 MHZ BETWEEN ADJACENT CONTACTS.

MECHANICAL CHARACTERISTICS:

- * CONTACT ENGAGEMENT FORCE: 6 OZ. MAX.
- * CONTACT NOMAL FORCE: 75 GRAM MIN.
- * CONTACT RETENTION FORCE: 1 LBS MIN.
- * OPERATING TEMPERATURE: -55°C TO +85°C.

ORDER INFORMATION

E H * N N * N - * * - *

EDGE CARD CONN.

MCA TYPE
(HIGH DENSITY)
.05" PITCH

TERMINATION TYPE

- 0: STRAIGHT.
- 2: STRADDLE MOUNT.
- 5: SMT.

NO. OF POS. PER ROW

11: 11/22.	66: 66/132.	A6: 106/212.
15: 15/30.	70: 70/140.	B0: 110/220.
30: 30/60.	80: 80/160.	C0: 120/240.
34: 34/68.	82: 82/164.	D0: 130/260.
36: 36/72.	90: 90/180.	F0: 150/300.
40: 40/80.	91: 91/182.	
45: 45/90.	92: 92/184.	
56: 56/112.	97: 97/194.	
58: 58/116.	A1: 101/202.	

EXTENSION CODE

MODIFICATION

Pd/Ni PLATING

- G: GOLD FLASH
- R: GOLD OVER 20 μ" Pd/Ni.
- P: GOLD OVER 40 μ" Pd/Ni.

CONTACT PLATING

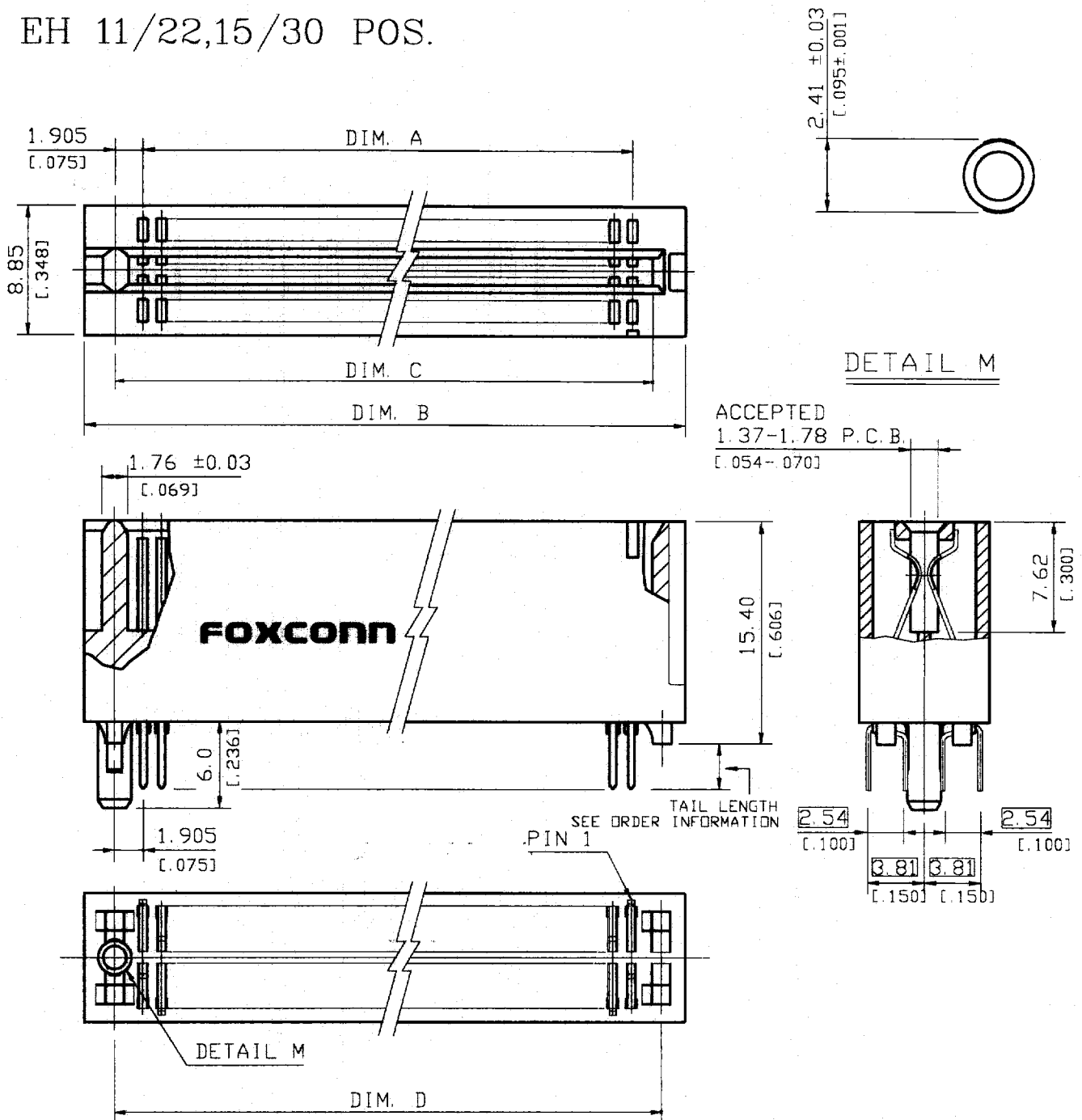
- 1: GOLD FLASH.
- 7: 15 " GOLD PLATING.

TAIL LENGTH

- 0: 0.125"
- 1: 0.100"
- 4: 0.140"

0.05" PITCH MCA BUS CONNECTORS

EH 11/22,15/30 POS.



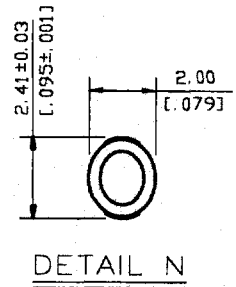
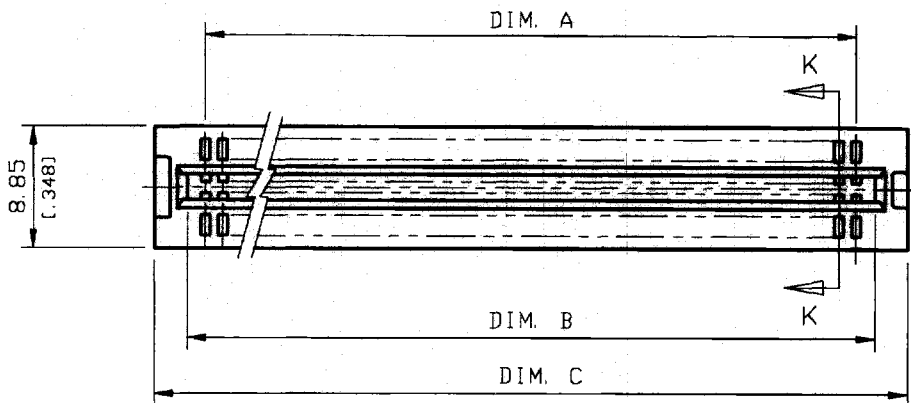
EHO11**-*(-*)	11 / 22	12.70 [0.500]	19.81 [0.780]	15.88 [0.625]	16.51 [0.650]
EHO15**-*(-*)	15 / 30	17.78 [0.700]	24.89 [0.980]	20.96 [0.825]	21.59 [0.850]
PROD NO.	POSITION NO.	DIM. A	DIM. B	DIM. C	DIM. D

NOTES:

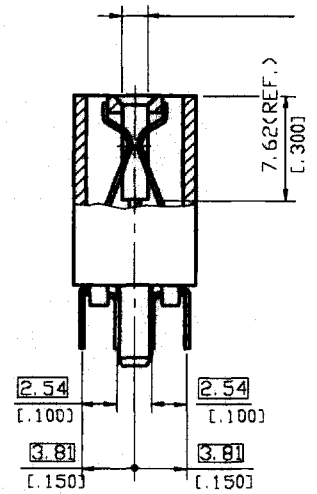
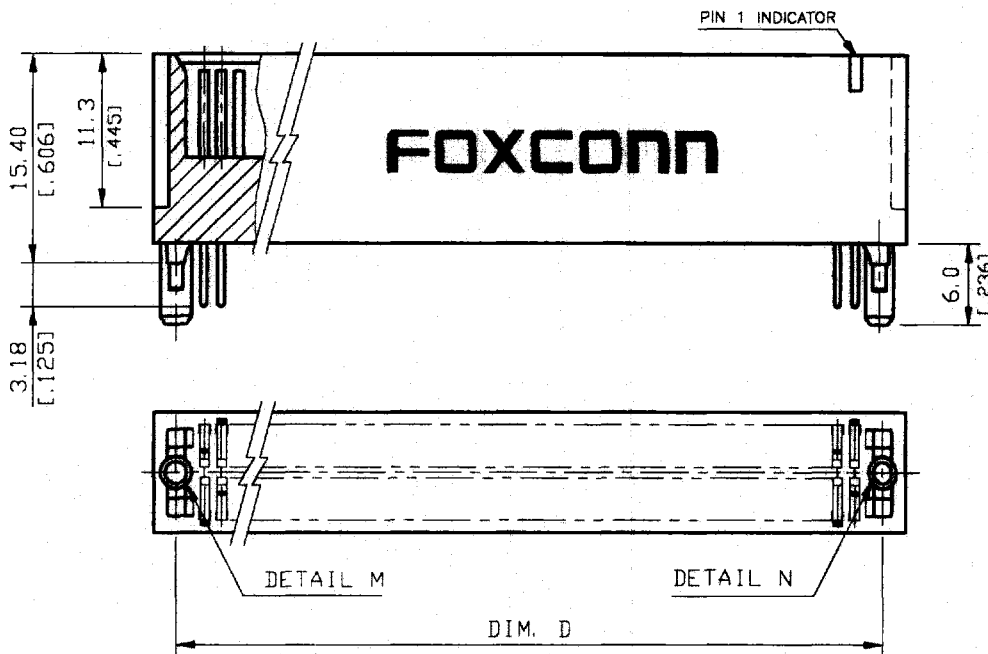
1. ALL DIMENSIONS ARE IN MMS WITH INCHES IN PARENTHESES.

0.05" PITCH MCA BUS CONNECTORS

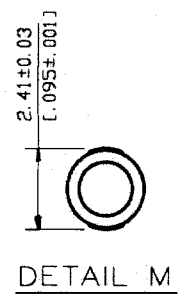
EH 30/60,34/68,36/72 POS.



ACCEPTED 1.37-1.78 P.C.B.
[0.054-0.070]



EHD300*-*	30/60	36.83 [1.450]	39.38 [1.550]	44.20 [1.740]	40.64 [1.600]
EHD340*-*	34/68	41.91 [1.650]	44.46 [1.750]	49.28 [1.940]	45.72 [1.800]
EHD360*-*	36/72	44.45 [1.750]	47.00 [1.850]	51.82 [2.0940]	48.26 [1.900]
PROD. NO.	POS. NO.	DIM. A	DIM. B	DIM. C	DIM. D

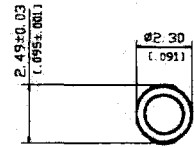
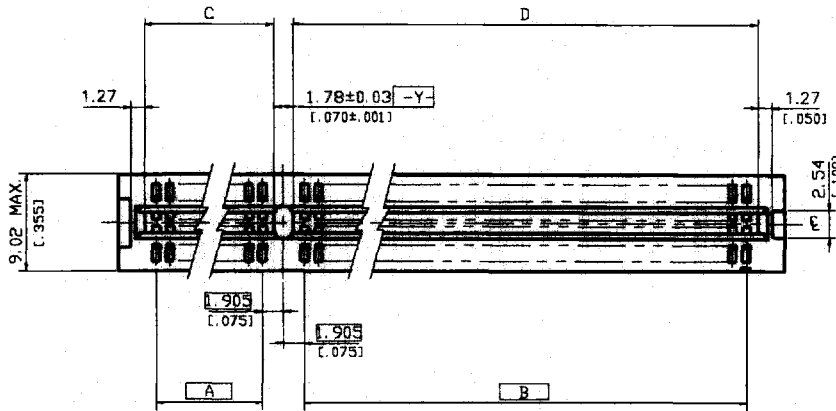


NOTES:

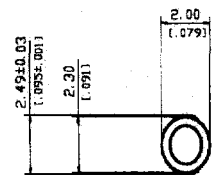
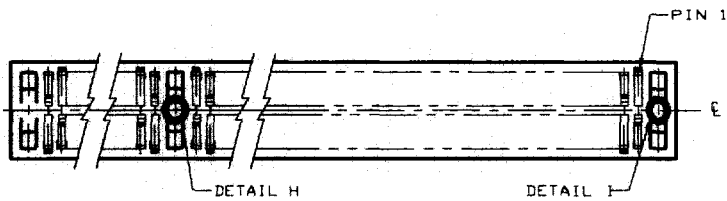
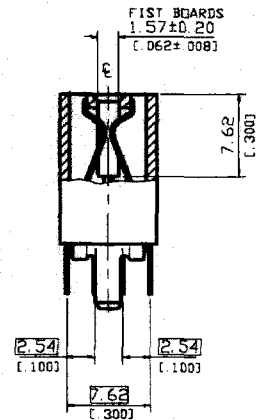
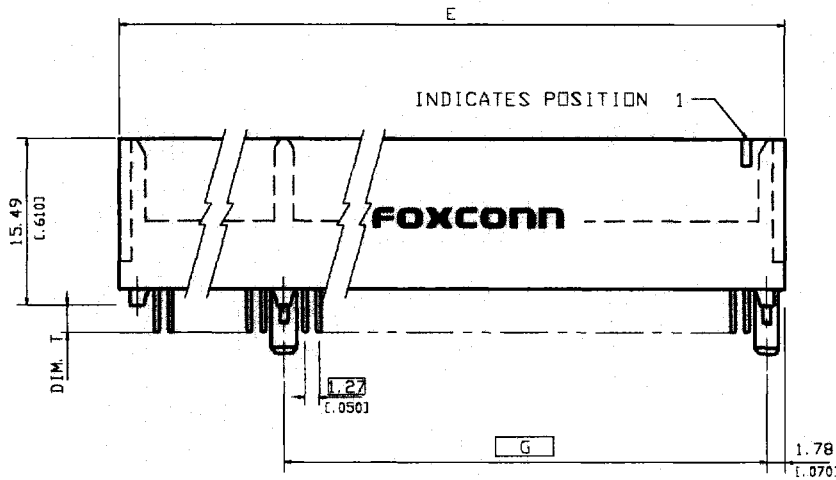
1. ALL DIMENSIONS ARE IN MMS WITH INCHES IN PARENTHESES.

0.05" PITCH MCA BUS CONNECTORS

EH 40/80, 45/90, 56/112, 60/120, 80/160, 82/164,
91/182 pos.



DETAIL H



DETAIL I

EHO**1**-*A	2.54 (.100)
EHO**0**-*A	3.18 (.125)
PROD. NO.	DIM. T

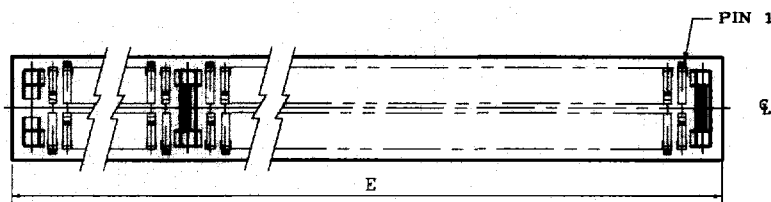
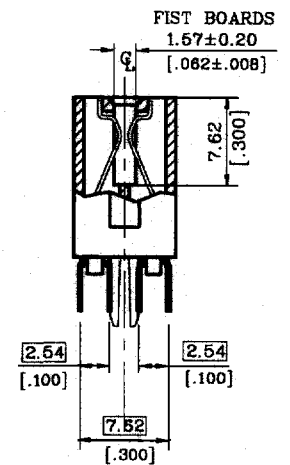
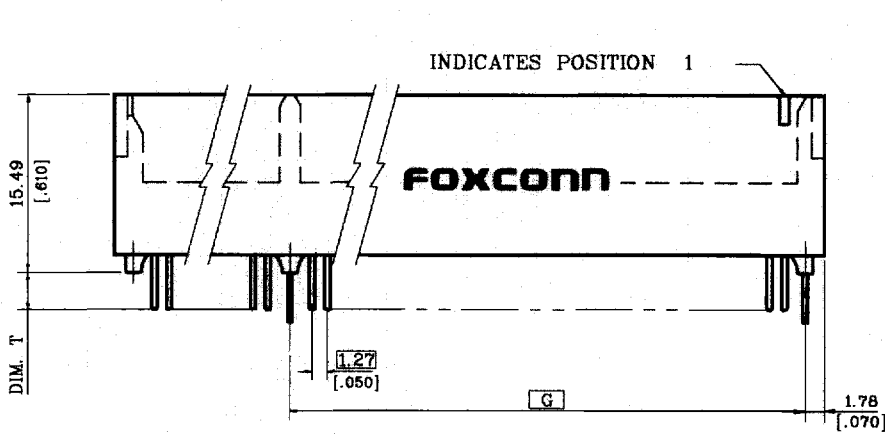
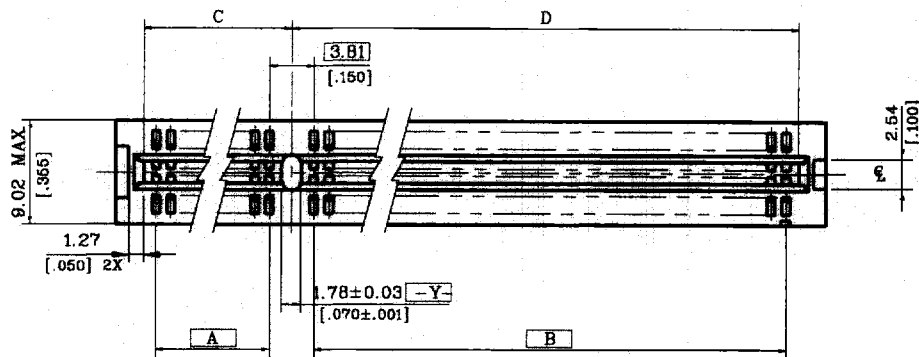
EHO91**-*A	91/182 = 42/84+49/98	52.07 (2.050)	60.98 (2.400)	54.36 (2.140)	63.25 (2.490)	124.21 (4.890)	64.77 (2.550)		
EHO82**-*A	82/164 = 42/84+40/80	52.07 (2.050)	49.53 (1.950)	54.36 (2.140)	51.82 (2.040)	112.78 (4.440)	53.34 (2.100)		
EHO80**-*A	80/160 = 38/76+42/84	45.99 (1.850)	52.07 (2.050)	49.28 (1.940)	59.44 (2.340)	110.24 (4.340)	55.88 (2.200)		
EHO60**-*A	60/120 = 11/22+49/98	12.70 (.500)	60.98 (2.400)	14.99 (.590)	63.25 (2.490)	84.84 (3.340)	64.77 (2.550)		
EHO56**-*A	56/112 = 11/22+45/90	12.70 (.500)	55.88 (2.200)	14.99 (.590)	58.17 (2.290)	79.76 (3.140)	59.89 (2.350)		
EHO45**-*A	45/90 = 11/22+34/68	12.70 (.500)	41.91 (1.650)	14.99 (.590)	44.20 (1.740)	65.79 (2.590)	45.72 (1.800)		
EHO40**-*A	40/80 = 11/22+29/58	12.70 (.500)	35.56 (1.400)	14.99 (.590)	37.85 (1.490)	59.44 (2.340)	39.17 (1.530)		
PROD. NO.	TOTAL POS. NO.	A	B	DIM. A	DIM. B	DIM. C	DIM. D	DIM. E	DIM. G

NOTES:

1. ALL DIMENSIONS ARE IN MMS WITH INCHES IN PARENTHESES.

0.05" PITCH MCA BUS CONNECTORS

EH 45/90,56/112,80/160,82/164,91/182 POS.



EHO**1*-*M	2.54 [.100]
EHO**0*-*M	3.18 [.125]
PROD. NO.	DIM. T

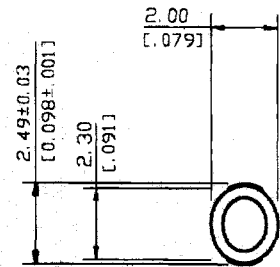
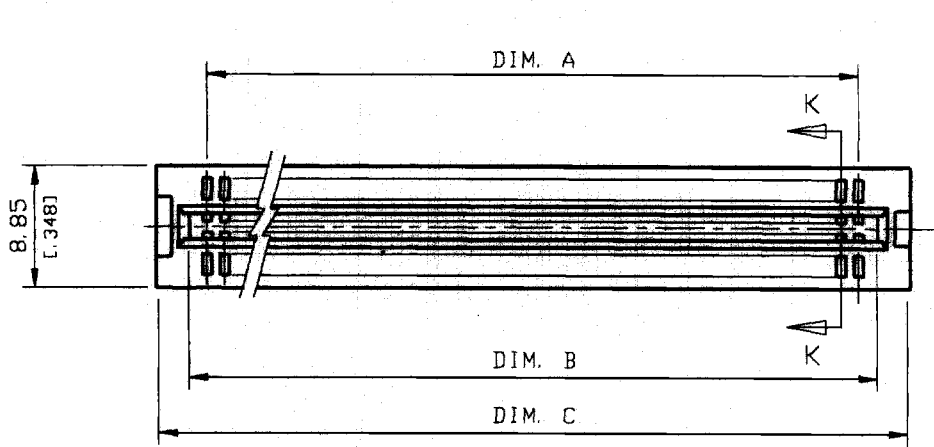
PROD. NO.	TOTAL	A	B	DIM. A	DIM. B	DIM. C	DIM. D	DIM. E	DIM. G
EHO91**-*M	91/182 = 42/84 + 49/98	52.07 [2.050]	60.98 [2.400]	54.36 [2.140]	63.25 [2.490]	124.21 [4.890]	64.77 [2.550]		
EHO82**-*M	82/164 = 42/84 + 40/80	52.07 [2.050]	49.53 [1.950]	54.36 [2.140]	51.82 [2.040]	112.78 [4.440]	53.34 [2.100]		
EHO80**-*M	80/180 = 38/76 + 42/84	48.99 [1.850]	52.07 [2.050]	49.28 [1.940]	59.44 [2.340]	110.24 [4.340]	55.88 [2.200]		
EHO56**-*M	56/112 = 11/22 + 45/90	12.70 [.500]	55.88 [2.200]	14.99 [.590]	58.17 [2.290]	79.78 [3.140]	59.69 [2.350]		
EHO45**-*M	45/90 = 11/22 + 34/88	12.70 [.500]	41.91 [1.650]	14.99 [.590]	44.20 [1.740]	65.79 [2.590]	45.72 [1.800]		

NOTES:

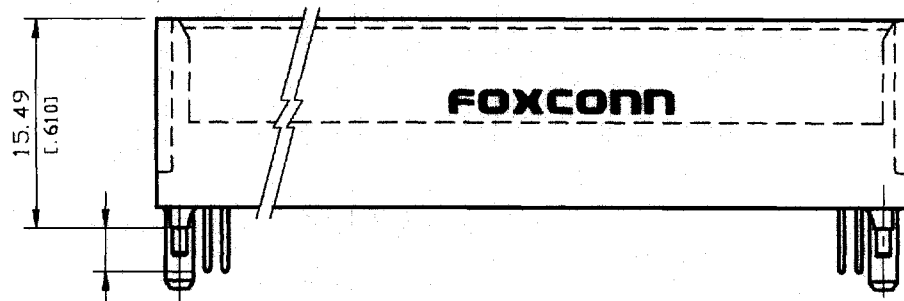
1. ALL DIMENSIONS ARE IN MMS WITH INCHES IN PARENTHESSES.

0.05" PITCH MCA BUS CONNECTORS

EH 58/116 POS.

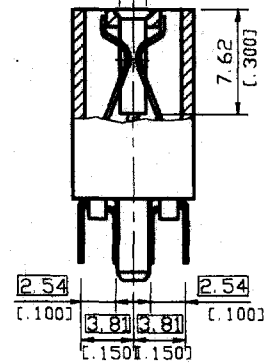


DETAIL N

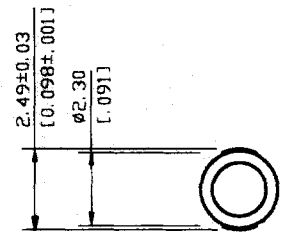
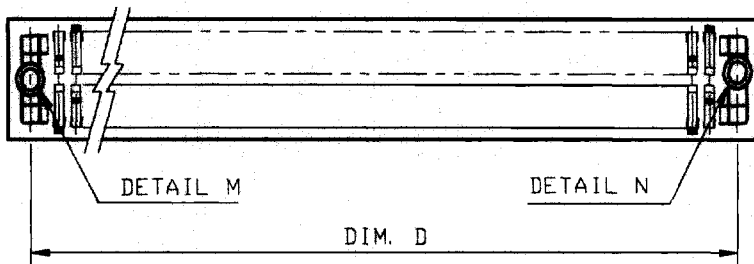


SOLDER TAIL
SEE ORDER INFORMATION

ACCEPTED
1.37-1.78 P.C.B.
[0.054-0.070]



SEC. K-K



DETAIL M

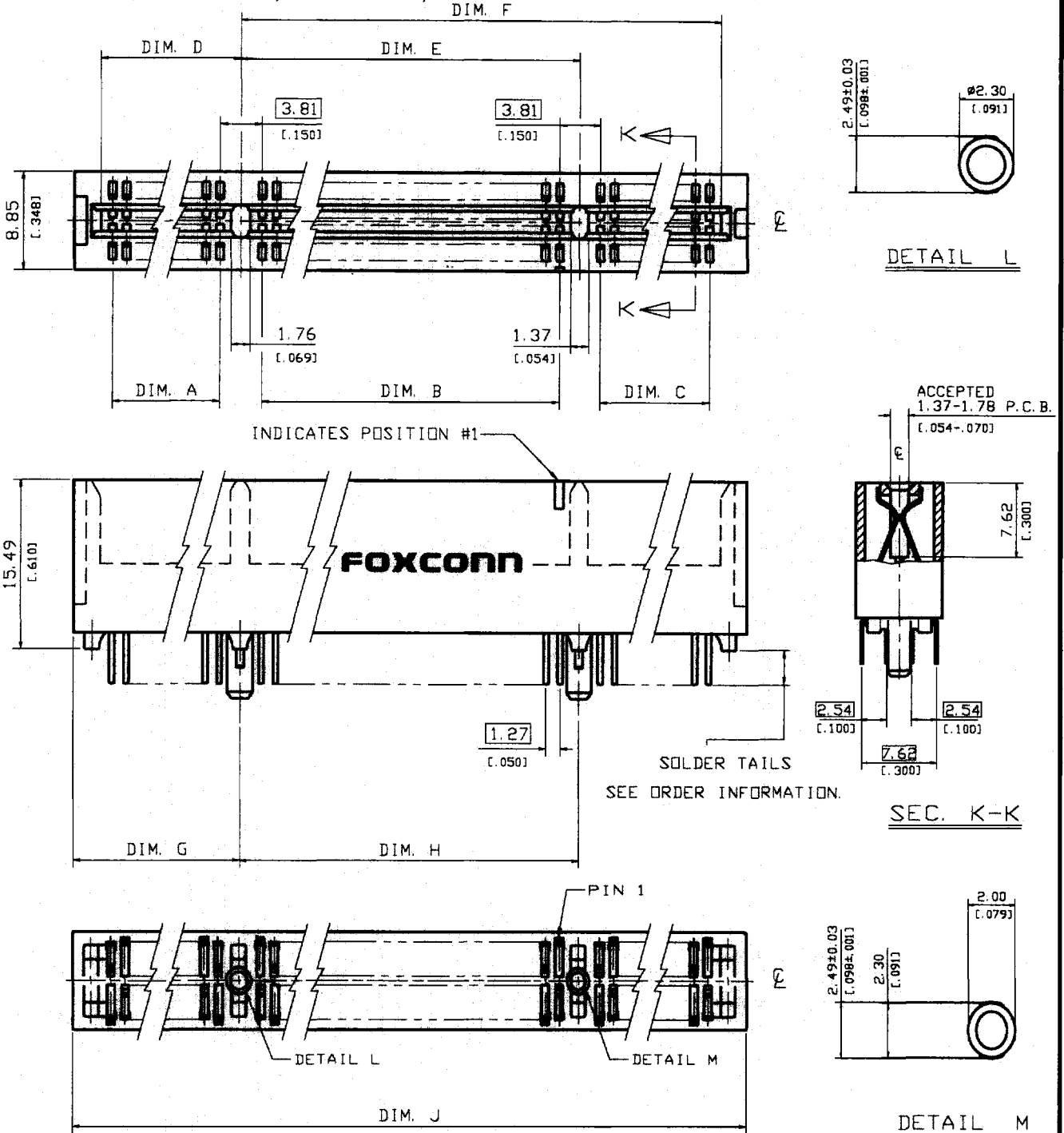
EHD580*-*A	58/116	72.39 [2.850]	74.94 [2.950]	79.76 [3.140]	76.20 [3.000]
PROD. NO.	POSITION NO.	DIM. A	DIM. B	DIM. C	DIM. D

NOTES:

1. ALL DIMENSIONS ARE IN MMS WITH INCHES IN PARENTHESSES.

0.05" PITCH MCA BUS CONNECTORS

EH 66/132, 70/140, 97/194 POS.



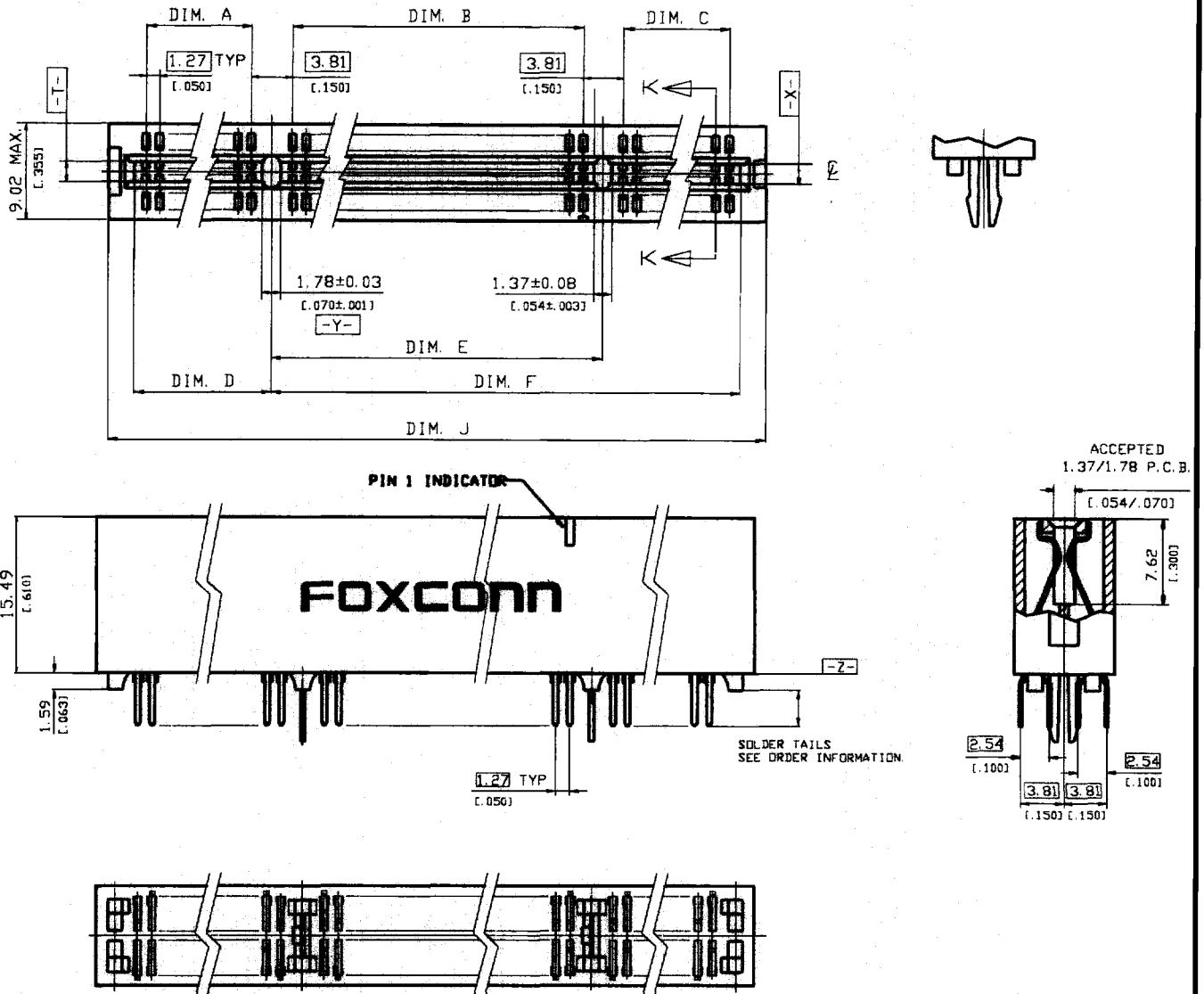
EH097**A(-*)	97/194=42/84+45/90+10/20	52.07 (2.050)	55.88 (2.200)	11.43 (.450)	55.25 (2.175)	59.69 (2.350)	74.30 (2.925)	57.66 (2.270)	59.69 (2.350)	134.37 (5.290)			
EH070**A(-*)	70/140=11/22+45/90+14/28	12.70 (.500)	55.88 (2.200)	16.51 (.650)	15.88 (.625)	59.69 (2.350)	79.38 (3.125)	18.29 (.720)	59.69 (2.350)	100.08 (3.940)			
EH066**A(-*)	66/132=11/22+45/90+10/20	12.70 (.500)	55.88 (2.200)	11.43 (.450)	15.88 (.625)	59.69 (2.350)	74.30 (2.925)	18.29 (.720)	59.69 (2.350)	95.00 (3.740)			
PROD. NO.	TOTAL POS.	A	B	C	DIM. A	DIM. B	DIM. C	DIM. D	DIM. E	DIM. F	DIM. G	DIM. H	DIM. J

NOTES:

1. ALL DIMENSIONS ARE IN MMS WITH INCHES IN PARENTHESES.

0.05" PITCH MCA BUS CONNECTORS

EH 66/132,70/140,97/194,101/202,106/212,110/220,
120/240 POS.



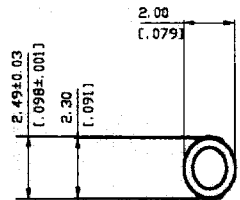
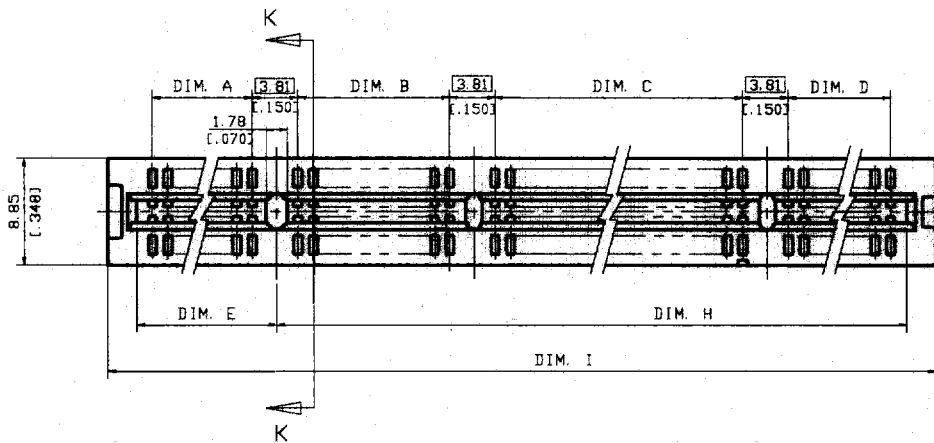
EH0C0***-M(-*)	120/240 = 42/84 + 45/90 + 33/66	52.07 [2.050]	55.88 [2.200]	40.64 [1.600]	55.25 [2.175]	59.69 [2.350]	103.51 [4.075]	163.58 [6.440]		
EH0C0***-M(-*)	120/240 = 11/22 + 45/90 + 64/128	12.70 [.500]	55.88 [2.200]	80.01 [3.150]	15.88 [.625]	59.69 [2.350]	142.88 [5.625]	163.58 [6.440]		
EH0B0***-M(-*)	110/220 = 42/84 + 40/80 + 28/52	52.07 [2.050]	49.53 [1.950]	34.29 [1.350]	55.25 [2.175]	53.34 [2.100]	90.81 [3.575]	150.88 [5.940]		
EH0A6***-M(-*)	106/212 = 11/22 + 45/90 + 50/100	12.70 [.500]	55.88 [2.200]	62.23 [2.450]	15.88 [.625]	59.69 [2.350]	125.10 [4.925]	145.80 [5.740]		
EH0A1***-M(-*)	101/202 = 42/84 + 49/98 + 10/20	52.07 [2.000]	60.96 [2.400]	11.43 [.450]	55.25 [2.175]	64.77 [2.550]	79.38 [3.125]	139.45 [5.490]		
EH097***-M(-*)	97/194 = 42/84 + 45/90 + 10/20	52.07 [2.050]	55.88 [2.200]	11.43 [.450]	55.25 [2.175]	59.69 [2.350]	74.30 [2.925]	134.37 [5.290]		
EH070***-M(-*)	70/140 = 11/22 + 45/90 + 14/28	12.70 [.500]	55.88 [2.200]	16.51 [.650]	15.88 [.625]	59.69 [2.350]	79.38 [3.125]	100.08 [3.940]		
EH066***-M(-*)	66/132 = 11/22 + 45/90 + 10/20	12.70 [.500]	55.88 [2.200]	11.43 [.450]	15.88 [.625]	59.69 [2.350]	74.30 [2.925]	95.00 [3.740]		
PROD. NO.	POS. NO.			DIM. A	DIM. B	DIM. C	DIM. D	DIM. E	DIM. F	DIM. J
	TOTAL	A	B							

NOTES:

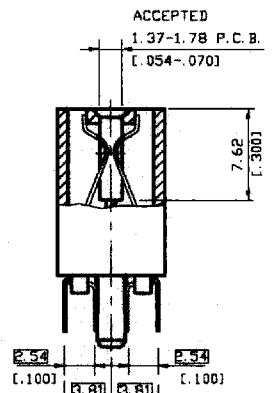
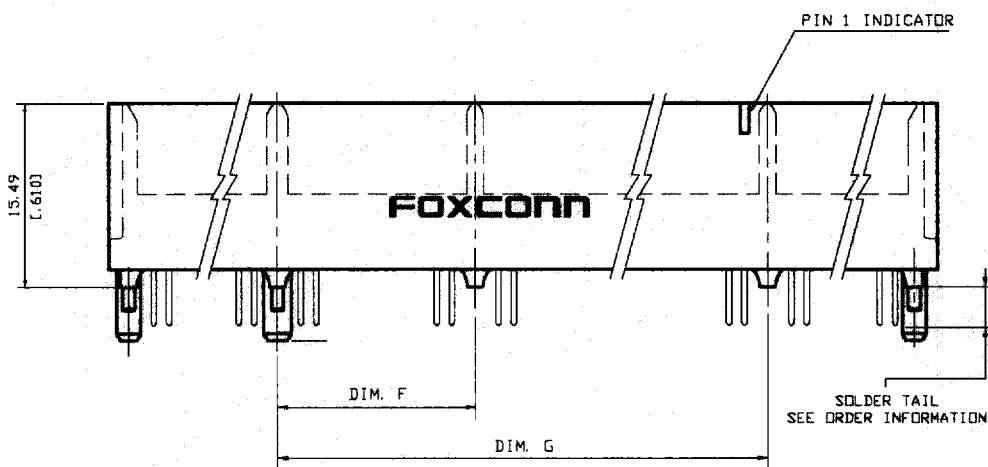
1. ALL DIMENSIONS ARE IN MMS WITH INCHES IN PARENTHESES.

0.05" PITCH MCA BUS CONNECTORS

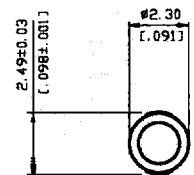
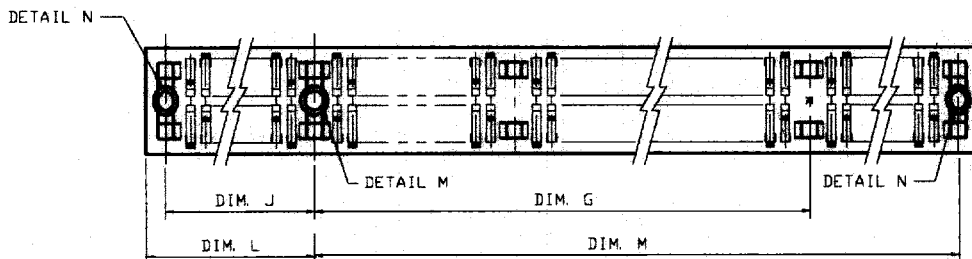
EH 90/180 POS.



DETAIL N



SEC. K-K



DETAIL M

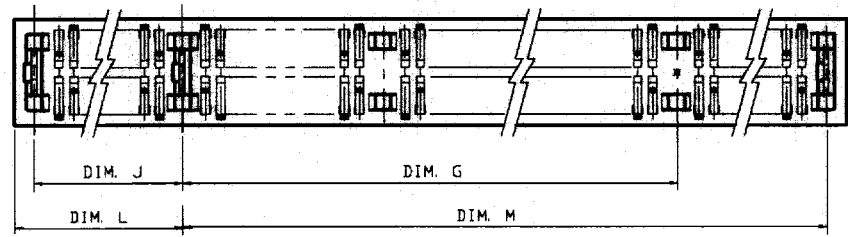
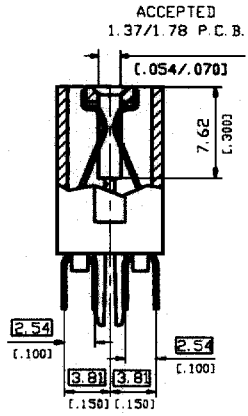
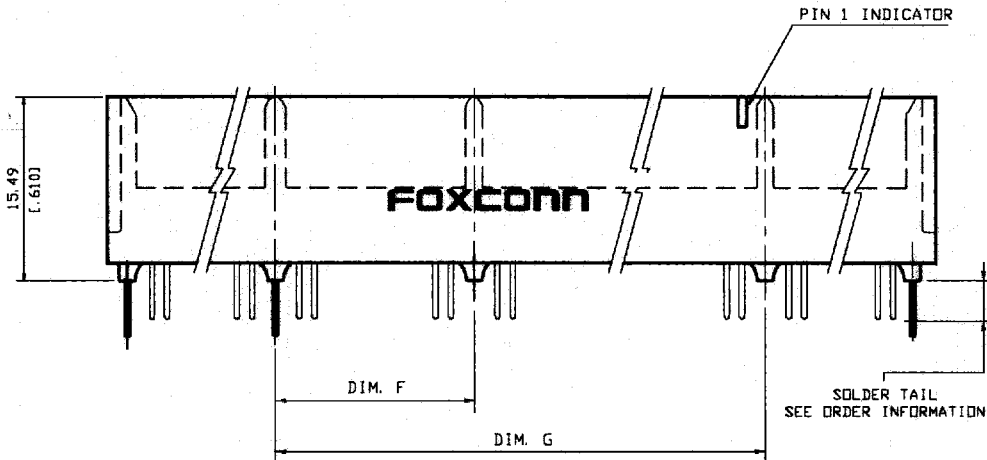
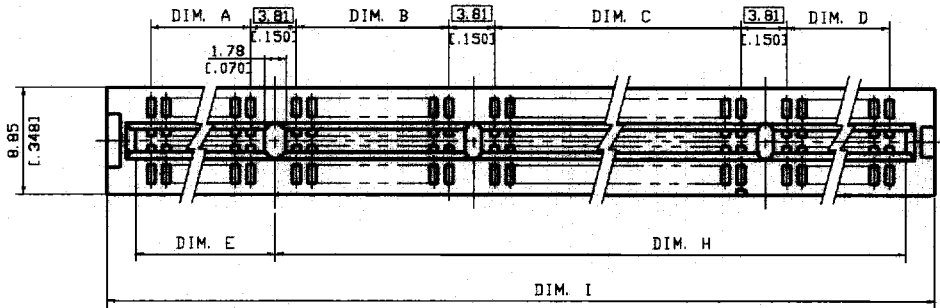
EH0900*-XA	90/180=49/98+11/22+18/36+12/24	60.96 [2.400]	12.70 [0.500]	21.59 [0.850]	13.97 [0.550]	64.14 [2.525]	16.51 [0.650]	41.91 [1.650]	59.06 [2.325]	128.02 [5.040]	64.77 [2.550]	66.55 [2.620]	59.69 [2.350]	
PROD. NO.	POSITION	NO.	DIM. A	DIM. B	DIM. C	DIM. D	DIM. E	DIM. F	DIM. G	DIM. H	DIM. I	DIM. J	DIM. L	DIM. M

NOTES:

1. ALL DIMENSIONS ARE IN MMS WITH INCHES IN PARENTHESES.

0.05" PITCH MCA BUS CONNECTORS

EH 90/180 POS.



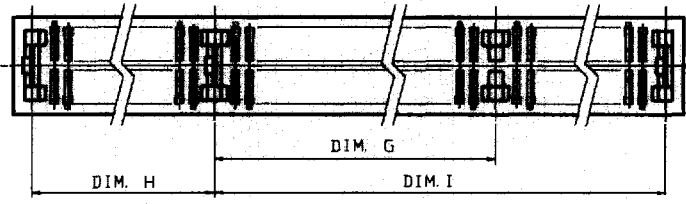
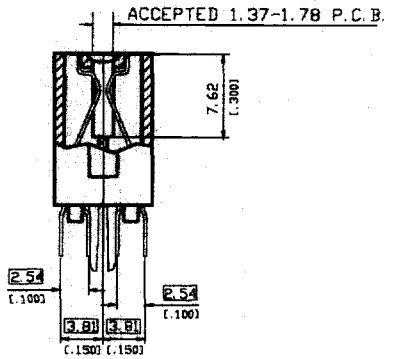
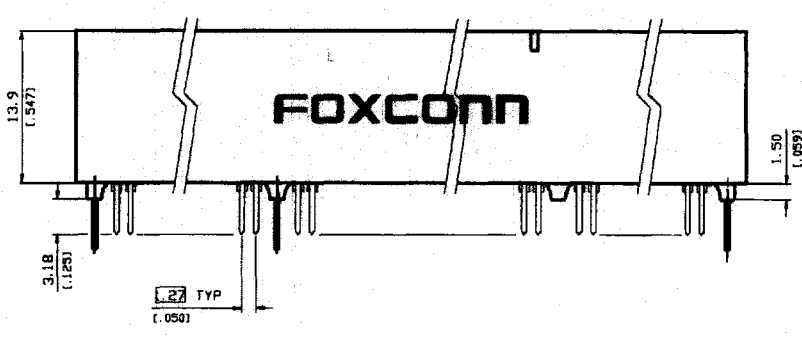
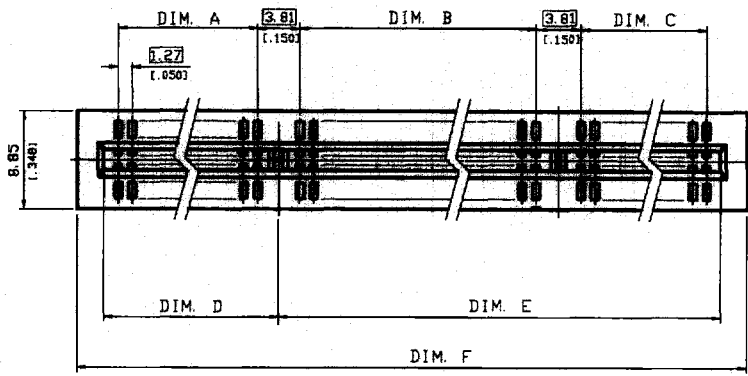
EH0900M-XX	90/180=49/98+11/22+18/36+12/24	60.96 (2.400)	12.70 (0.500)	21.59 (0.850)	33.97 (1.330)	64.14 (2.525)	16.51 (0.650)	41.91 (1.650)	59.06 (2.325)	128.02 (5.040)	64.77 (2.550)	66.55 (2.620)	59.69 (2.350)
PROD. NO.	POSITION NO.	DIM. A	DIM. B	DIM. C	DIM. D	DIM. E	DIM. F	DIM. G	DIM. H	DIM. I	DIM. J	DIM. L	DIM. M

NOTES:

1. ALL DIMENSIONS ARE IN MMS WITH INCHES IN PARENTHESES.

0.05" PITCH MCA BUS CONNECTORS

EH 106/212 POS.

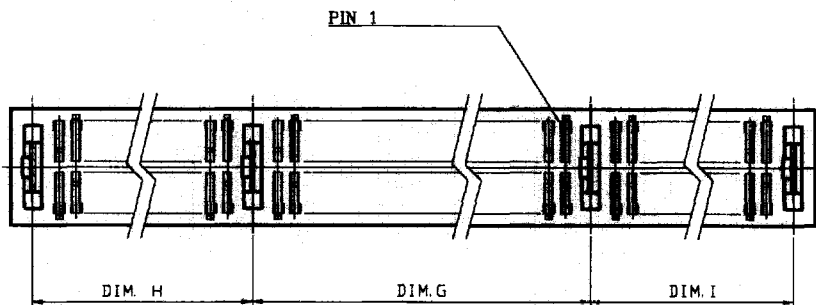
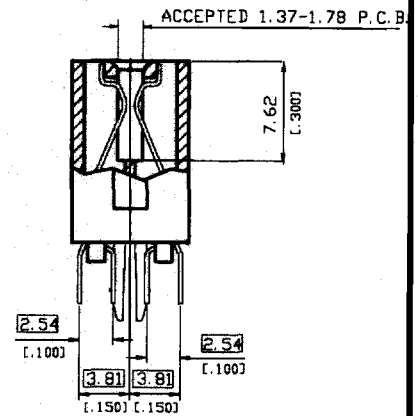
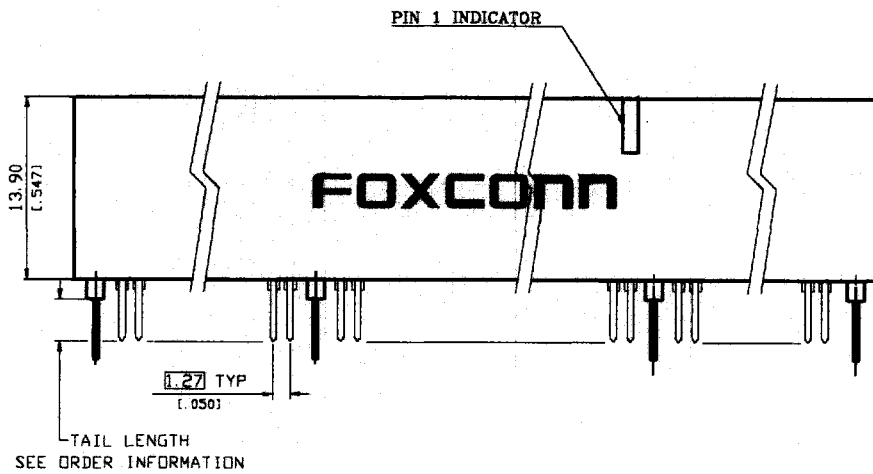
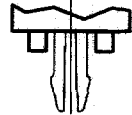
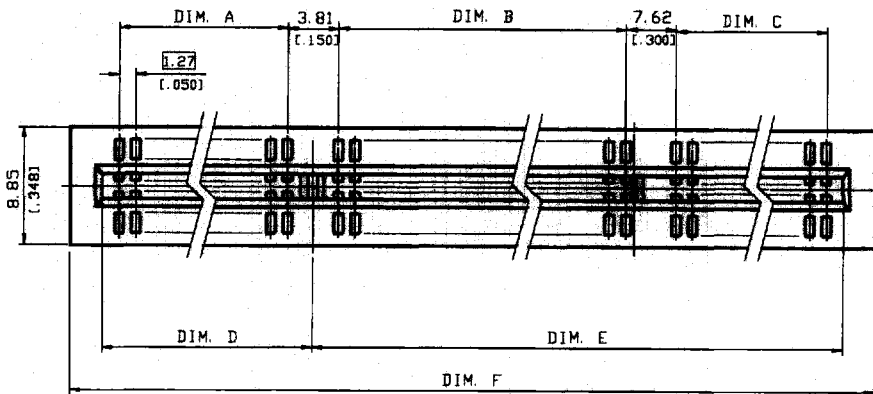


EH0A6**~*Q(-*)	106/212 = 40/80 + 40/80 + 26/52	49.53 [1.950]	49.53 [1.950]	31.75 [1.250]	52.71 [2.075]	88.27 [3.475]	145.80 [5.740]	53.34 [2.100]	53.34 [2.100]	88.90 [3.500]			
PROD. NO.	TOTAL POS.	A	B	C	DIM. A	DIM. B	DIM. C	DIM. D	DIM. E	DIM. F	DIM. G	DIM. H	DIM. I

NOTES:
1. ALL DIMENSIONS ARE IN MMS WITH INCHES IN PARENTHESES.

0.05" PITCH MCA BUS CONNECTORS

EH 130/260 POS.



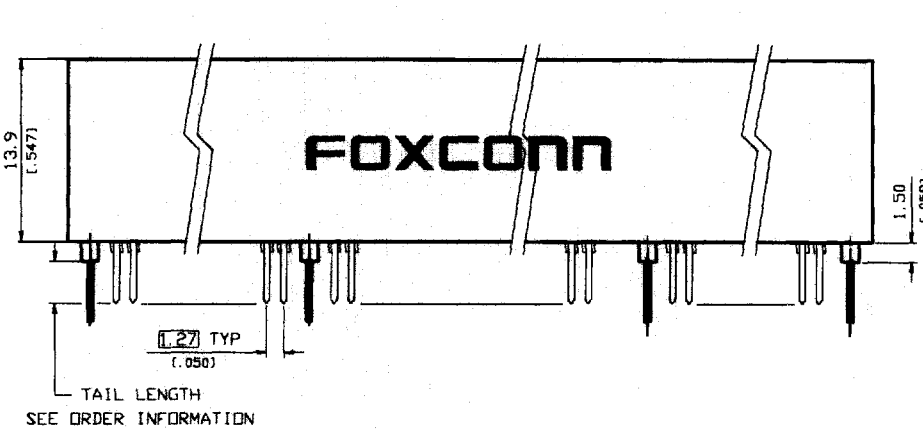
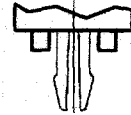
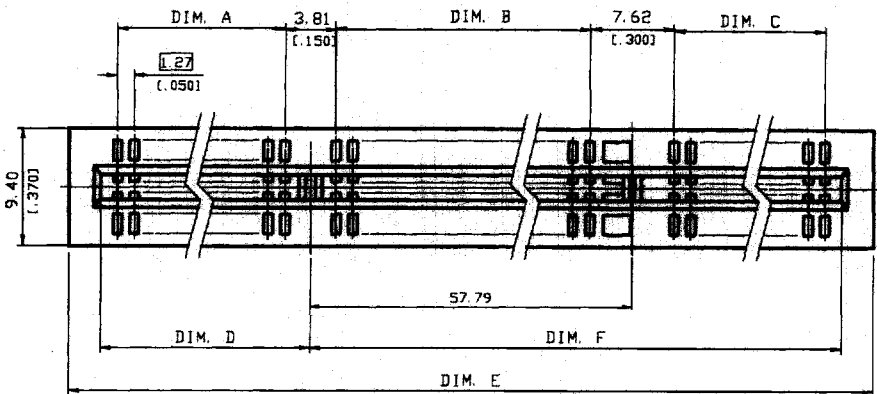
EH0000-M(-#)	130/260-42/B4+45/90+43/86	52.07 [2.050]	55.88 [2.200]	53.34 [2.100]	55.25 [2.175]	116.21 [4.575]	176.28 [6.940]	59.69 [2.350]	55.88 [2.200]	57.15 [2.250]			
PROD. NO.	TOTAL POS.	A	B	C	DIM. A	DIM. B	DIM. C	DIM. D	DIM. E	DIM. F	DIM. G	DIM. H	DIM. I

NOTES:

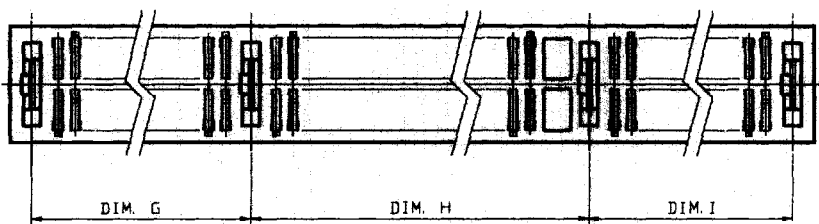
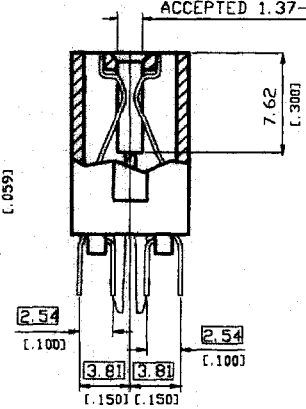
- ALL DIMENSIONS ARE IN MMS WITH INCHES IN PARENTHESES.

0.05" PITCH MCA BUS CONNECTORS

EH 150/300 POS.



ACCEPTED 1.37-1.78 P.C.B.



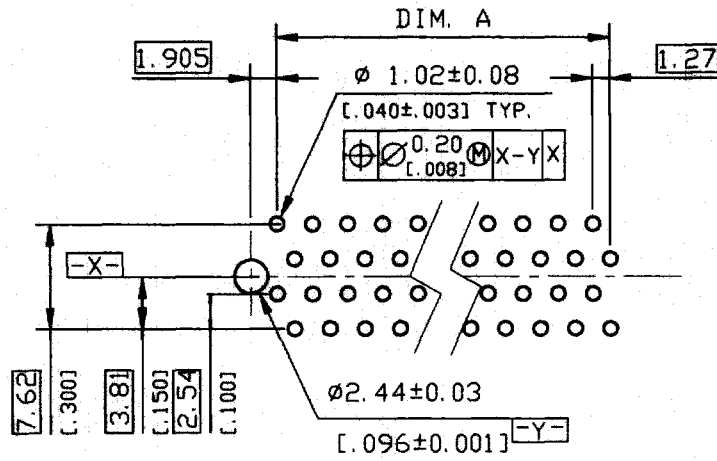
EHDF000-44-4	150/300=49/98+42/84+59/118	60.96 [2.400]	82.07 [3.230]	73.66 [2.900]	64.14 [2.525]	205.49 [8.090]	136.53 [5.375]	64.77 [2.550]	59.69 [2.350]	77.47 [3.050]			
PROD. NO.	TOTAL POS.	A	B	C	DIM. A	DIM. B	DIM. C	DIM. D	DIM. E	DIM. F	DIM. G	DIM. H	DIM. I

NOTES:

1. ALL DIMENSIONS ARE IN MMS WITH INCHES IN PARENTHESES.

0.05" PITCH MCA BUS CONNECTORS

EH 11/22,15/30 POS.



EHD11**P(-*)	11/22	12.70 ± 0.500
EHD15**P(-*)	15/30	17.78 ± 0.700
PROD. NO.	POS. NO.	DIM. A

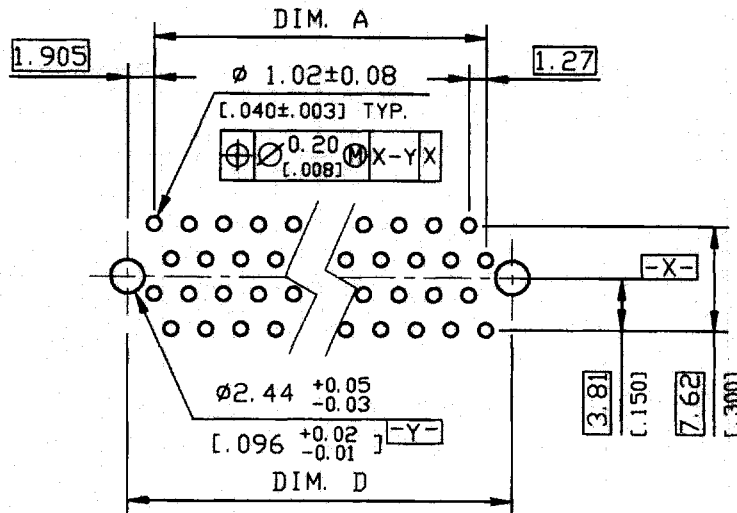
P.C.B. HOLE LAYOUTS

NOTES:

1. ALL DIMENSIONS ARE IN MMS WITH INCHES IN PARENTHESES.

0.05" PITCH MCA BUS CONNECTORS

EH 30/60,34/68,36/72 POS.



EHD300*-*	30/60	36.83 [1.450]	40.64 [1.600]
EHD340*-*	34/68	41.91 [1.650]	45.72 [1.800]
EHD360*-*	36/72	44.45 [1.750]	48.26 [1.900]
PROD. NO.	POS. NO.	DIM. A	DIM. D

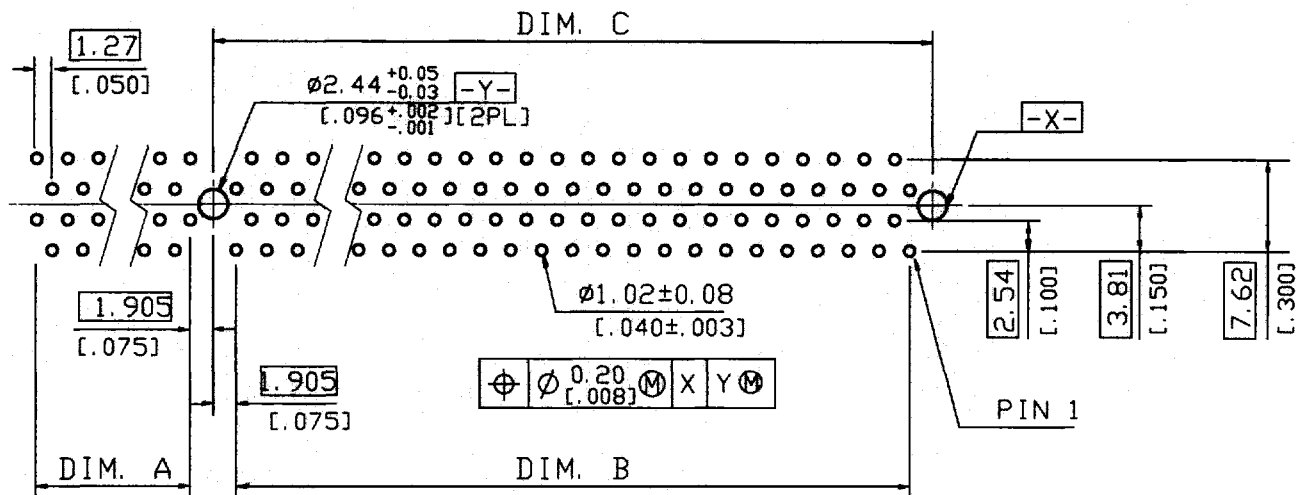
P.C.B. HOLE LAYOUTS

NOTES:

1. ALL DIMENSIONS ARE IN MMS WITH INCHES IN PARENTHESES.

0.05" PITCH MCA BUS CONNECTORS

EH 40/80, 45/90, 56/112, 80/160, 82/164, 91/182 POS.



EH091**-**	91/182 = 42/84 + 49/98	52.07 [2.050]	60.96 [2.400]	64.77 [2.550]
EH082**-**	82/164 = 42/84 + 40/80	52.07 [2.050]	49.53 [1.950]	53.34 [2.100]
EH080**-**	80/160 = 38/76 + 42/84	46.99 [1.850]	52.07 [2.050]	50.17 [1.975]
EH056**-**	56/112 = 11/22 + 45/90	12.70 [.500]	55.88 [2.200]	59.69 [2.350]
EH045**-**	45/90 = 11/22 + 34/68	12.70 [.500]	41.91 [2.400]	45.72 [1.800]
EH040**-**	40/80 = 11/22 + 29/58	12.70 [.500]	35.58 [1.400]	39.37 [1.550]
PROD. NO.	TOTAL	DIM. A	DIM. B	DIM. C
	A			
	POS. NO.			

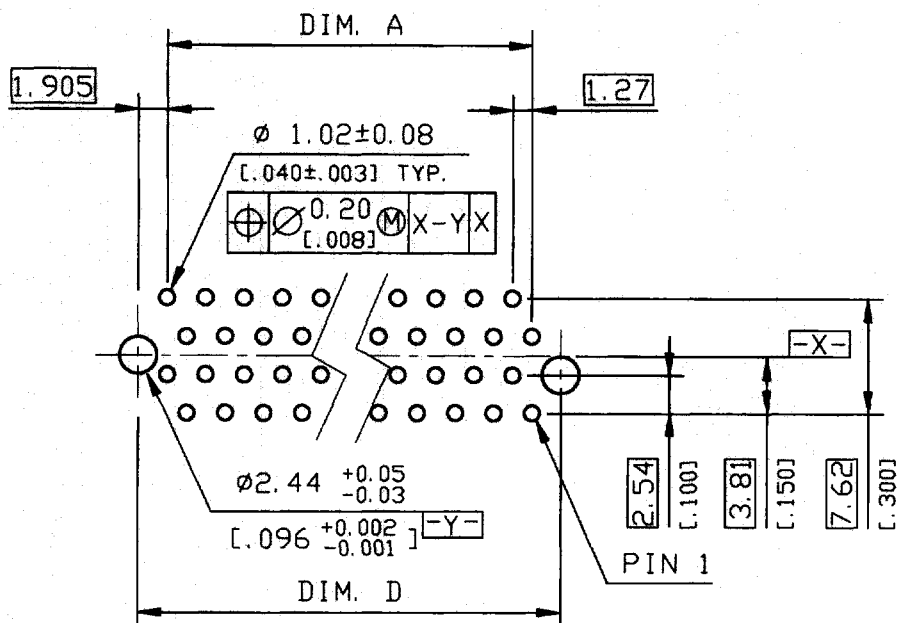
P. C. B. HOLE LAYOUTS

NOTES:

1. ALL DIMENSIONS ARE IN MMS
WITH INCHS IN PARENTHESES.

0.05" PITCH MCA BUS CONNECTORS

EH 58/116 POS.



EHD580*-*A	58/116	72.39 [2.850]	76.20 [3.000]
PROD. NO.	POSITION NO.	DIM. A	DIM. D

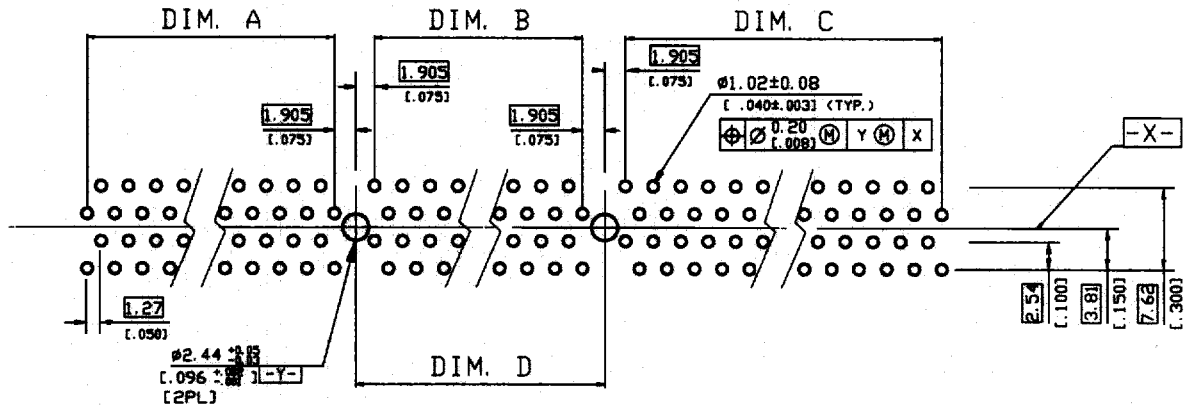
P.C.B. HOLE LAYOUTS

NOTES:

1. ALL DIMENSIONS ARE IN MMS WITH INCHES IN PARENTHESES.

0.05" PITCH MCA BUS CONNECTORS

EH 66/132, 70/140, 97/194, 101/202, 106/212, 110/220, 120/240 POS.



EH0C0***-**M(-*)	120/240 = 42/84 + 45/90 + 33/66	52.07 [2.050]	55.88 [2.200]	40.64 [1.600]	59.69 [2.350]			
EH0C0***-**M(-*)	120/240 = 11/22 + 45/90 + 64/128	12.70 [.500]	55.88 [2.200]	80.01 [3.150]	59.69 [2.350]			
EH0B0***-**M(-*)	110/220 = 42/84 + 40/80 + 28/52	52.07 [2.050]	49.53 [1.950]	34.29 [1.350]	53.34 [2.100]			
EH0A6***-**M(-*)	106/212 = 11/22 + 45/90 + 50/100	12.70 [.500]	55.88 [2.200]	62.23 [2.450]	59.69 [2.350]			
EH0A1***-**M(-*)	101/202 = 42/84 + 49/98 + 10/20	52.07 [2.050]	60.96 [2.400]	11.43 [.450]	64.77 [2.550]			
EH097***-**M(-*)	97/194 = 42/84 + 45/90 + 10/20	52.07 [2.050]	55.88 [2.200]	11.43 [.450]	59.69 [2.350]			
EH070***-**M(-*)	70/140 = 11/22 + 45/90 + 14/28	12.70 [.500]	55.88 [2.200]	16.51 [.650]	59.69 [2.350]			
EH066***-**M(-*)	66/132 = 11/22 + 45/90 + 10/20	12.70 [.500]	55.88 [2.200]	11.43 [.450]	59.69 [2.350]			
PROD. NO.	POS. NO.				DIM. A	DIM. B	DIM. C	DIM. D
	TOTAL	A	B	C				

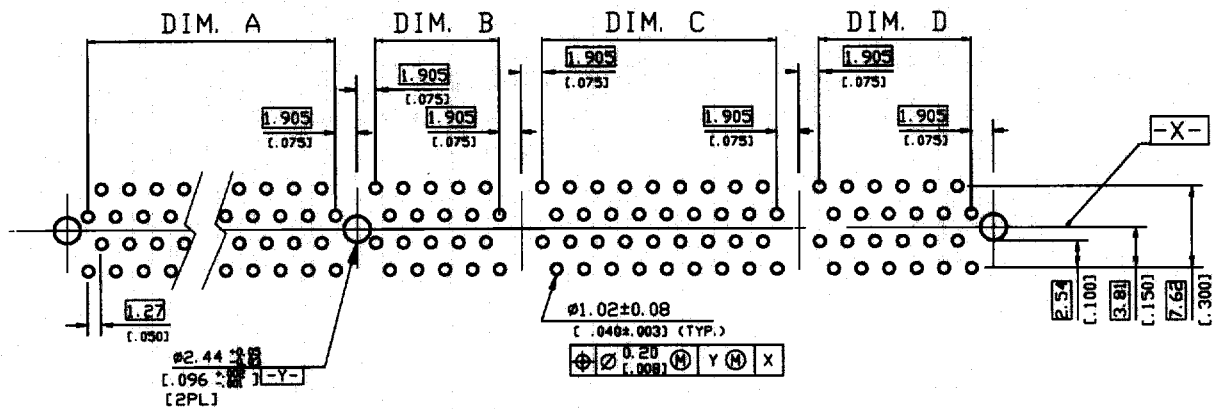
P. C. B. HOLE LAYOUTS

NOTES:

1. ALL DIMENSIONS ARE IN MMS
WITH INCHS IN PARENTHESES.

0.05" PITCH MCA BUS CONNECTORS

EH 90/180 POS.



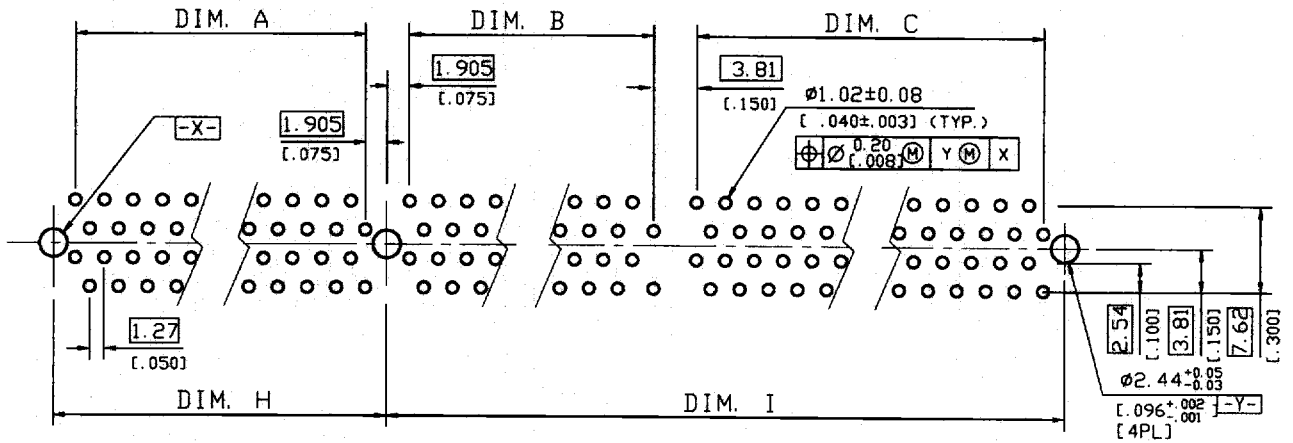
EH090**-*-*-(-*)	49/98+11/22+18/36+12/24	60.96 [2.400]	12.70 [0.500]	21.59 [0.850]	13.97 [0.550]			
PROD. NO.	POS. NO.				DIM. A	DIM. B	DIM. C	DIM. D
	A	B	C	D				

P.C.B. HOLE LAYOUTS

NOTES:
1. ALL DIMENSIONS ARE IN MMS
WITH INCHS IN PARENTHESES.

0.05" PITCH MCA BUS CONNECTORS

EH 106/212 POS.



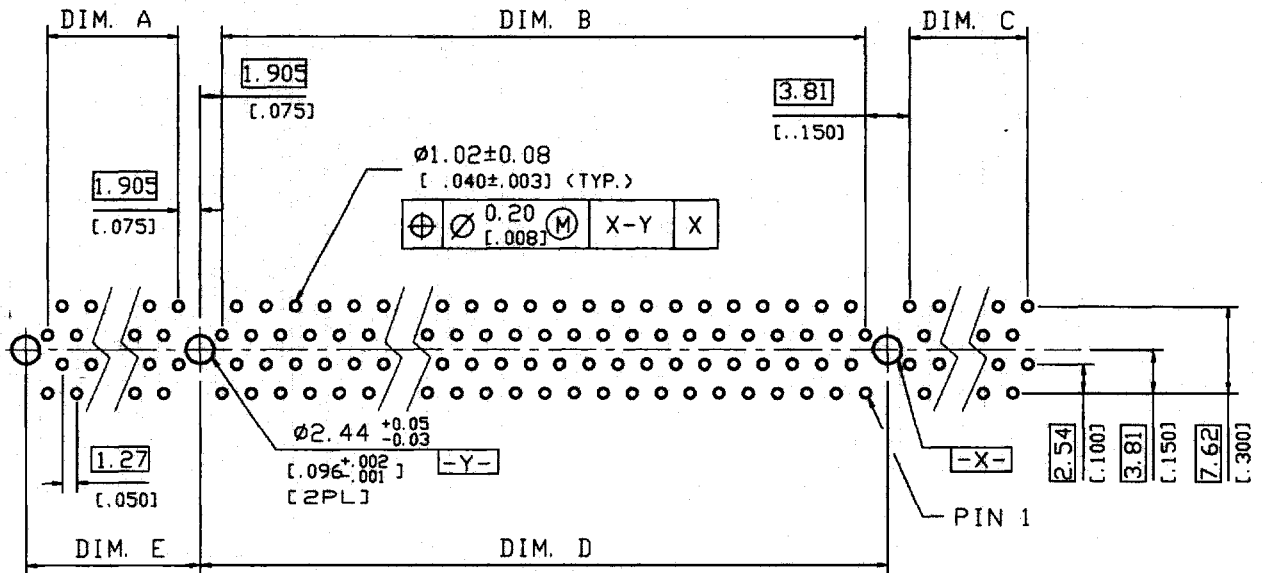
EH0A6**-*Q(-*)	106/212 = 40/80 + 40/80 + 26/52				49.53 [1.950]	49.53 [1.950]	31.75 [1.250]	53.34 [2.100]	88.90 [3.500]
PROD. NO.	TOTAL	A	B	C	DIM. A	DIM. B	DIM. C	DIM. H	DIM. I
	POS. NO.								

P. C. B. HOLE LAYOUTS

NOTES:
1. ALL DIMENSIONS ARE IN MMS
WITH INCHS IN PARENTHESES.

0.05" PITCH MCA BUS CONNECTORS

EH 130/260 POS.



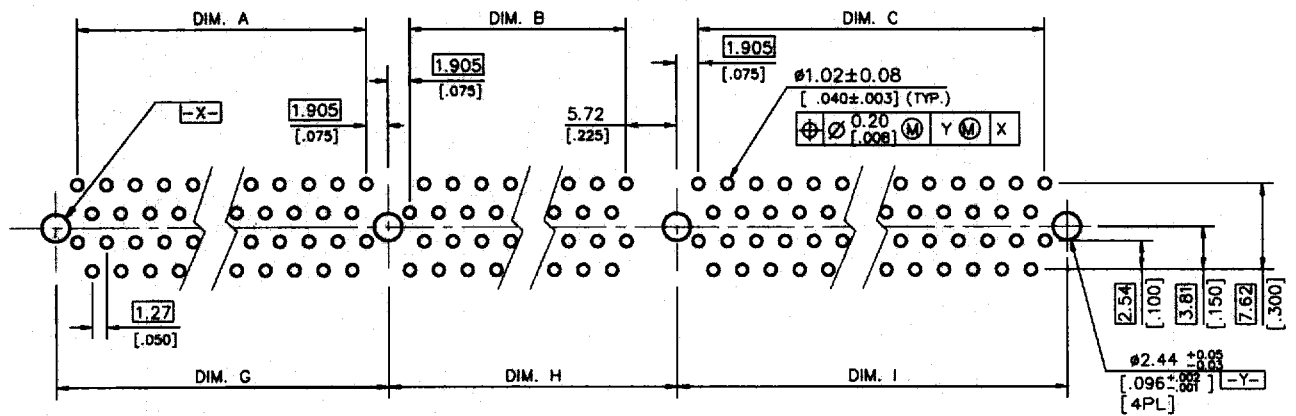
EH000***-***	130/260 = 42/84+45/90+43/86	52.07 [2.050]	55.88 [2.200]	53.34 [2.100]	59.69 [2.350]	55.88 [2.200]
PROD. NO	TOTAL POS. NO	DIM. A	DIM. B	DIM. C	DIM. D	DIM. E

P.C.B. HOLE LAYOUTS

NOTES:
1. ALL DIMENSIONS ARE IN MMS
WITH INCHS IN PARENTHESES.

0.05" PITCH MCA BUS CONNECTORS

EH 150/300 POS.



EHOFO**--PM--*	150/300=49/98+42/84+59/118	60.96 [2.400]	52.07 [2.050]	73.66 [2.900]	64.77 [2.550]	59.69 [2.350]	77.47 [3.050]			
EHOFO**--PM										
PROD. NO.	TOTAL	A	B	C	DIM.A	DIM.B	DIM.C	DIM.G	DIM.H	DIM.I
	POS.	NO.								

P.C.B. HOLE LAYOUTS

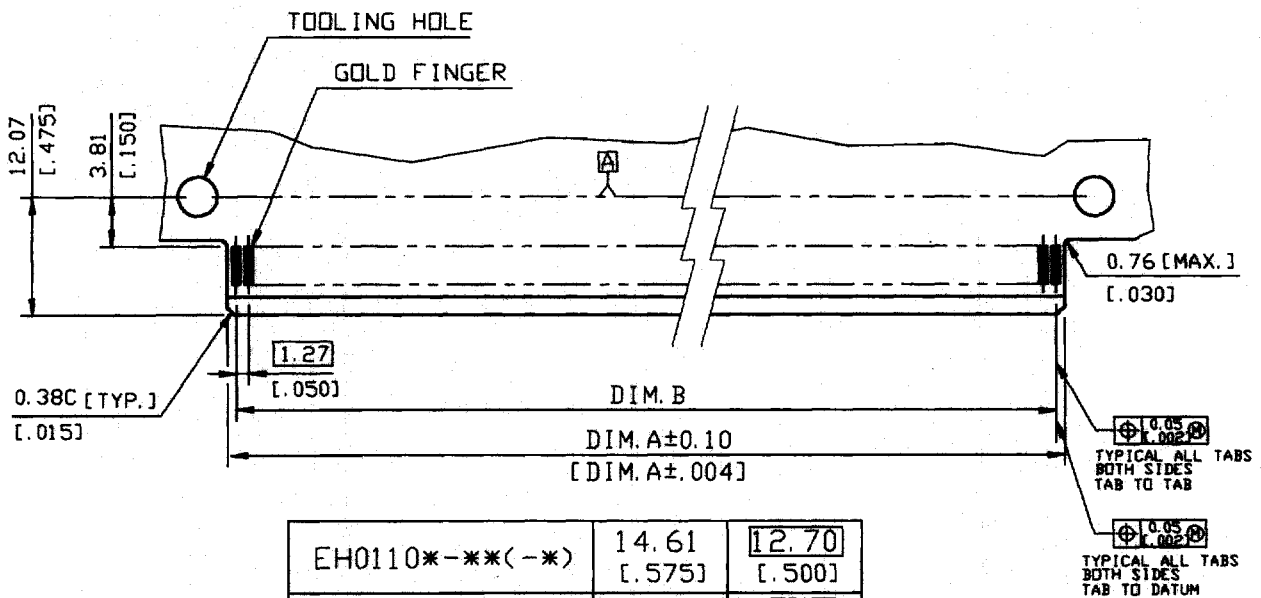
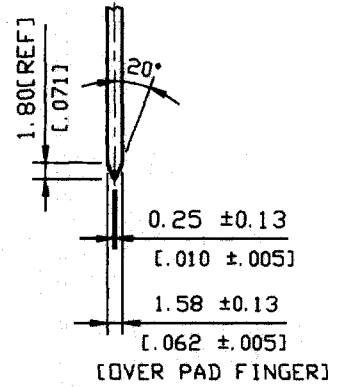
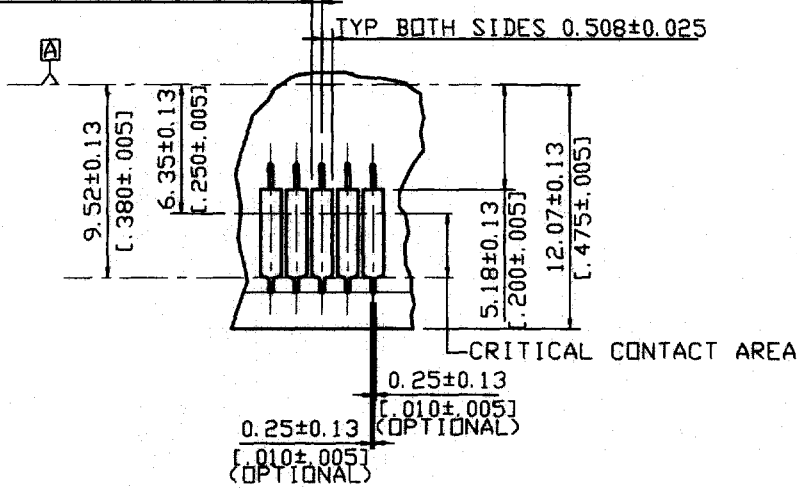
NOTES:

1. ALL DIMENSIONS ARE IN MMS WITH INCHES IN PARENTHESES.

0.05" PITCH MCA BUS CONNECTORS

EH 11/22,15/30,30/60,34/68,36/72,58/116 POS.

TYP BOTH SIDES 0.508±0.025



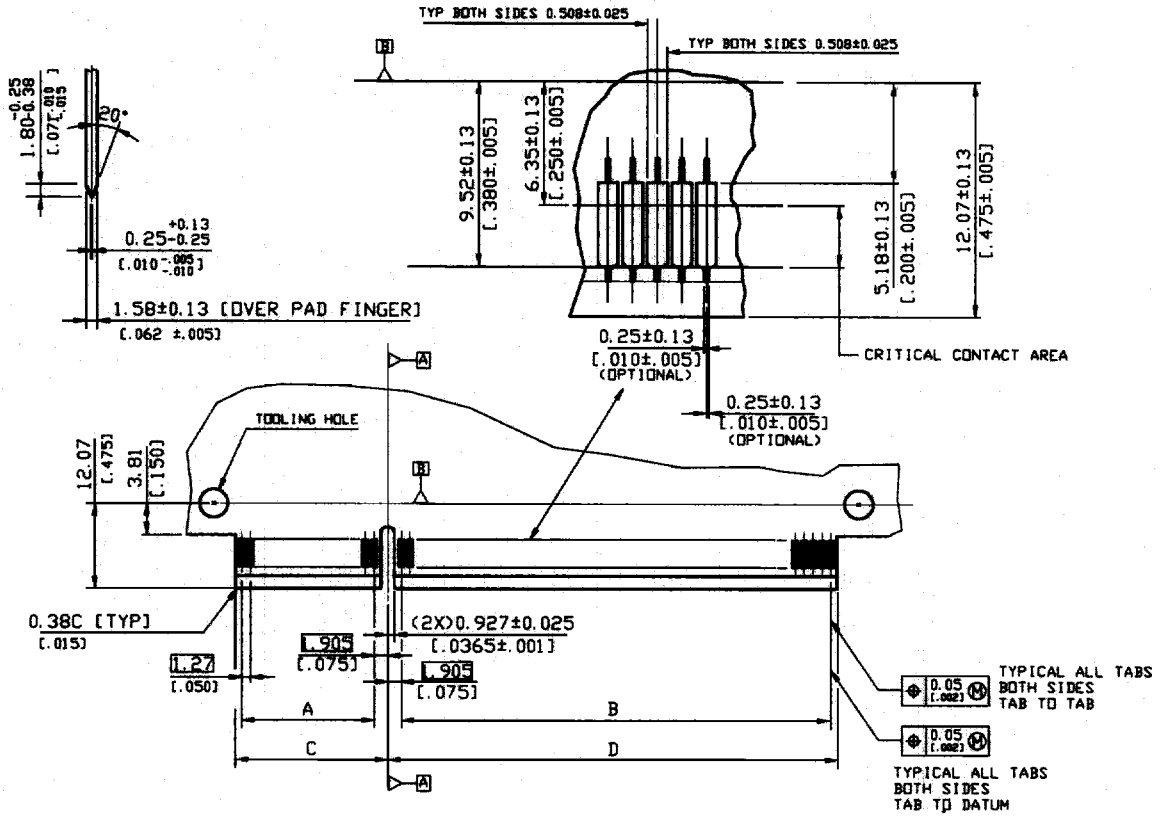
EH0110*-**(-*)	14.61 [.575]	12.70 [.500]
EH0150*-**(-*)	19.68 [.775]	17.78 [.700]
EH0300*-**(-*)	38.74 [1.525]	36.83 [1.450]
EH0340*-**(-*)	43.82 [1.725]	41.91 [1.650]
EH0360*-**(-*)	46.36 [1.825]	44.49 [1.750]
EH0580*-**(-*)	74.30 [2.925]	72.39 [2.850]
PROD NO.	DIM. A	DIM. B

MATING P.C.B. EDGE PATTERN

NOTES:
1. ALL DIMENSIONS ARE IN MMS
WITH INCHS IN PARENTHESSES.

0.05" PITCH MCA BUS CONNECTORS

EH 40/80,45/90,56/112,80/160,82/164,91/182 POS.



PROD. NO.	POS. NO.		DIM. A	DIM. B	DIM. C	DIM. D
	A	B				
EH091**-**(-*)	42/84	+ 49/98	52.07 [2.050]	60.96 [2.400]	54.81 [2.158]	63.70 [2.508]
EH082**-**(-*)	42/84	+ 40/80	52.07 [2.050]	49.53 [1.950]	54.81 [2.158]	52.27 [2.058]
EH080**-**(-*)	38/76	+ 42/84	46.99 [1.850]	52.07 [2.050]	49.73 [1.958]	54.81 [2.158]
EH056**-**(-*)	11/22	+ 45/90	12.70 [.500]	55.88 [2.200]	15.44 [.608]	58.62 [2.308]
EH045**-**(-*)	11/22	+ 34/68	12.70 [.500]	41.91 [1.960]	15.44 [.608]	44.65 [1.758]
EH040**-**(-*)	11/22	+ 29/58	12.70 [.500]	35.56 [1.400]	15.44 [.608]	38.30 [1.508]

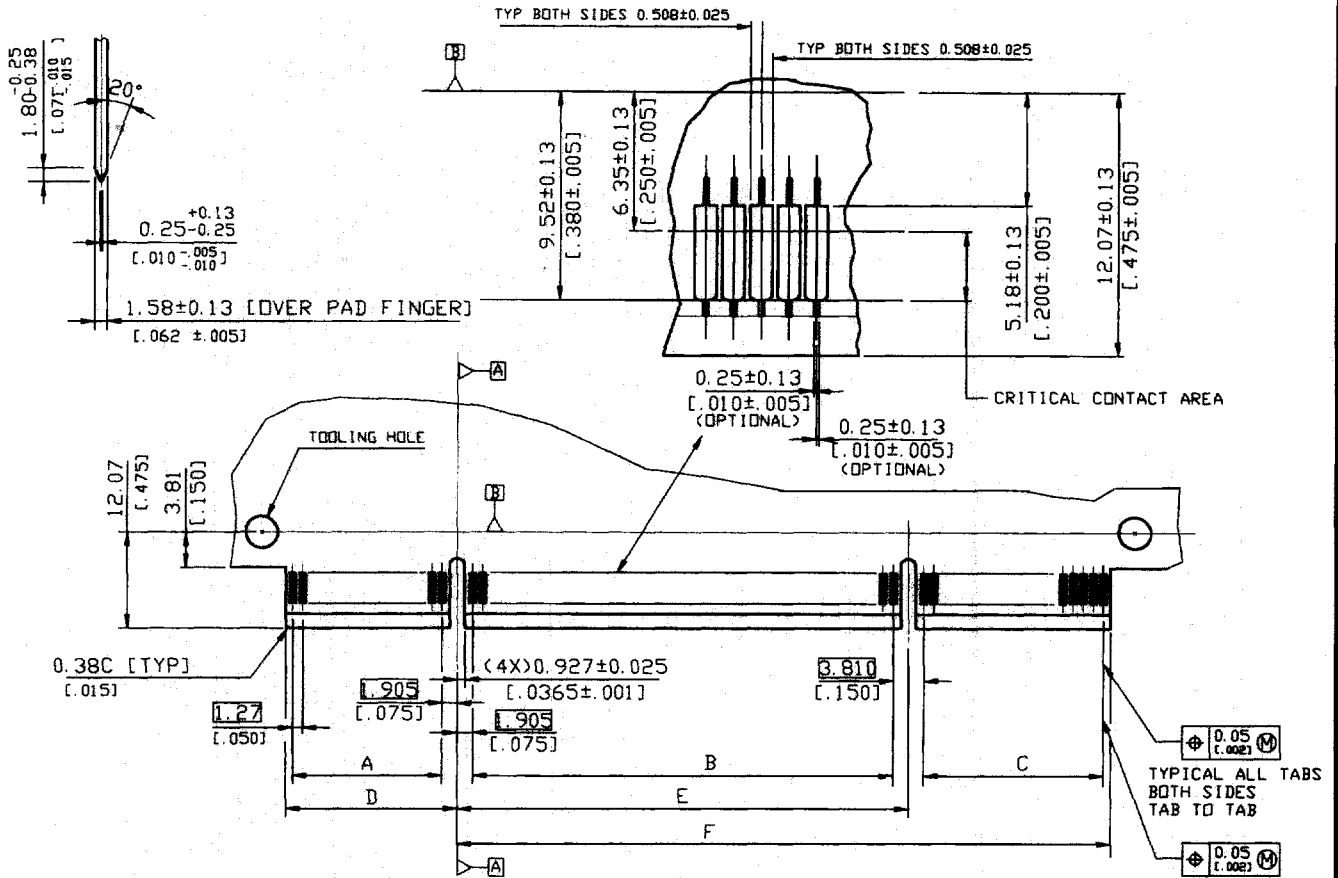
MATING P.C.B. EDGE PATTERN

NOTES:

1. ALL DIMENSIONS ARE IN MMS WITH INCHS IN PARENTHESES.

0.05" PITCH MCA BUS CONNECTORS

EH 66/132,70/140,97/194,101/202,106/212,110/220,
120/240,130/260,150/300 POS.



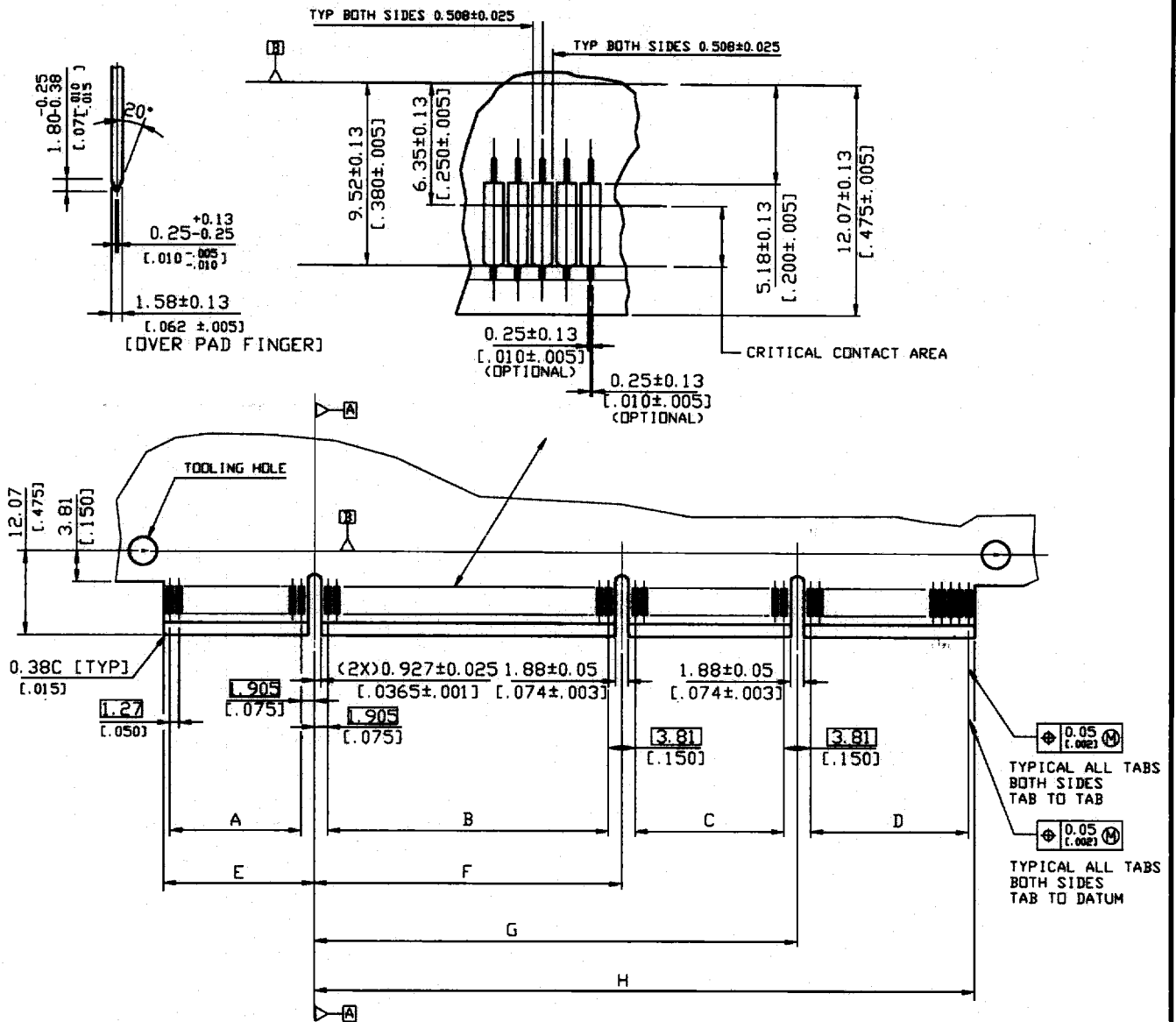
EH0F0***(-*)	150/300 = 49/98 + 42/84 + 59/118	60.96 (2.400)	52.07 (2.050)	73.66 (2.900)	63.75 (2.510)	57.79 (2.275)	136.14 (5.360)		
EH0D0***(-*)	130/260 = 42/84 + 45/90 + 43/86	52.07 (2.050)	55.88 (2.200)	53.34 (2.100)	54.81 (2.158)	59.69 (2.350)	115.78 (4.558)		
EH0C0***(-*)	120/240 = 42/84 + 45/90 + 33/66	52.07 (2.050)	55.88 (2.200)	40.64 (1.600)	54.81 (2.158)	59.69 (2.350)	103.07 (4.058)		
EH0C0***(-*)	120/240 = 11/22 + 45/90 + 64/128	12.70 (0.500)	55.88 (2.200)	80.01 (3.150)	15.44 (0.608)	59.69 (2.350)	142.45 (5.608)		
EH0B0***(-*)	110/220 = 42/84 + 40/80 + 28/52	52.07 (2.050)	49.53 (1.950)	34.29 (1.350)	54.81 (2.158)	53.34 (2.100)	90.37 (3.558)		
EH0A6***(-*)	106/212 = 40/80 + 40/80 + 26/52	49.53 (1.950)	49.53 (1.950)	31.75 (1.250)	52.32 (2.060)	53.34 (2.100)	87.88 (3.460)		
EH0A6***(-*)	106/212 = 11/22 + 45/90 + 50/100	12.70 (0.500)	55.88 (2.200)	62.23 (2.450)	15.44 (0.608)	59.69 (2.350)	124.66 (4.908)		
EH0A1***(-*)	101/202 = 42/84 + 49/98 + 10/20	52.07 (2.050)	60.96 (2.400)	11.43 (0.450)	54.81 (2.158)	64.77 (2.550)	78.95 (3.108)		
EH097***(-*)	97/194 = 42/84 + 45/90 + 10/20	52.07 (2.050)	55.88 (2.200)	11.43 (0.450)	54.81 (2.158)	59.69 (2.350)	73.86 (2.908)		
EH070***(-*)	70/140 = 11/22 + 45/90 + 14/28	12.70 (0.500)	55.88 (2.200)	16.51 (0.650)	15.44 (0.608)	59.69 (2.350)	78.95 (3.108)		
EH066***(-*)	66/132 = 11/22 + 45/90 + 10/20	12.70 (0.500)	55.88 (2.200)	11.43 (0.450)	15.44 (0.608)	59.69 (2.350)	73.86 (2.908)		
PROD. NO.	POS. NO.			DIM. A	DIM. B	DIM. C	DIM. D	DIM. E	DIM. F
	TOTAL	A	B						

MATING P.C.B. EDGE PATTERN

NOTES:
1. ALL DIMENSIONS ARE IN MMS
WITH INCHS IN PARENTHESES.

0.05" PITCH MCA BUS CONNECTORS

EH 90/180 POS.



EH090***-***(-*)	49/98+11/22+18/36+12/24	60.98 [2.400]	12.70 [0.500]	21.59 [0.850]	13.97 [0.550]	63.70 [2.508]	16.51 [0.650]	41.91 [1.650]	58.62 [2.308]			
PROD. NO.	POS. NO.				DIM. A	DIM. B	DIM. C	DIM. D	DIM. E	DIM. F	DIM. G	DIM. H
	A	B	C	D								

MATING P.C.B. EDGE PATTERN

NOTES:
1. ALL DIMENSIONS ARE IN MMS
WITH INCHS IN PARENTHESES.